



DIPLOMATIC
HYDRAULICS

65 410/103 ED



CHM7

PILOT OPERATED CHECK VALVE SERIES 10

MODULAR VERSION

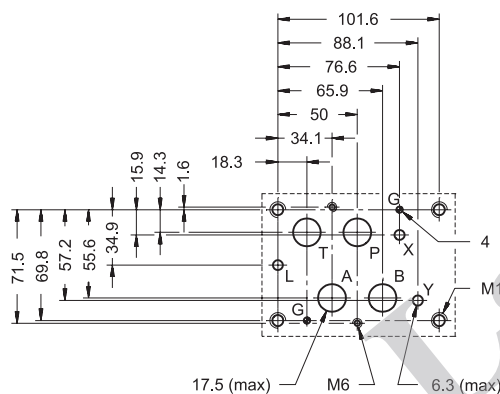
CETOP 07

p max 350 bar

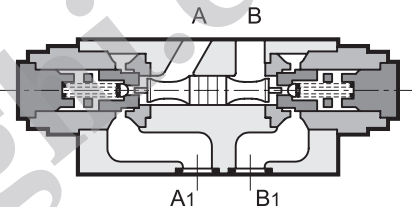
Q max 250 l/min

MOUNTING INTERFACE

CETOP 4.2-4-07



OPERATING PRINCIPLE



- This is a hydraulically released check valve with spring closing and with cone on edge seals, the mounting surface is according to the CETOP and ISO standards.
- Its use allows:
 - prevention of flow in one direction;
 - flow in the same direction, if opened by a pilot pressure;
 - free flow in the other direction.
- The CHM7 valves are always mounted downstream of the DSP7 type directional solenoid valves (see catalogue 41 420) and can be assembled with all other CETOP 07 valves.

CONFIGURATIONS (see Hydraulic symbols table)

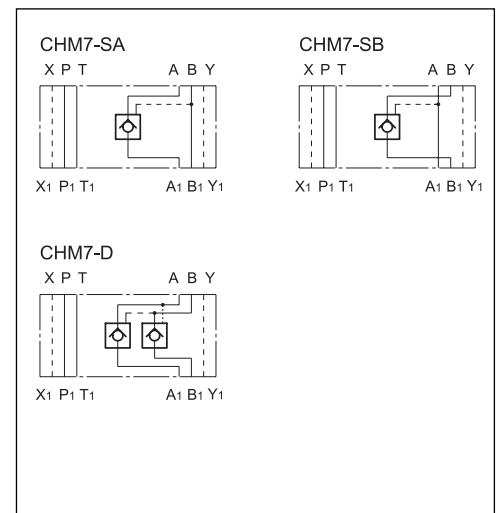
- Configuration "SA" - "SB": is used to lock the actuator in one direction.
- Configuration "D": is used to lock the position of the actuator in both directions.

The opening of the valve is gradual and occurs with the preopening of the main shutter that permits decompression of the plant.

PERFORMANCE RATINGS (measured with mineral oil of viscosity 36cSt at 50°C)

Maximum operating pressure	bar	350
Maximum flow rate	l/min	250
Ratio between the pressure of the sealed chambers and the piloting pressure		13 : 1
Opening pressure	bar	2
Ambient temperature range	°C	-20 ÷ +50
Fluid temperature range	°C	-20 ÷ +80
Fluid viscosity range	cSt	10 ÷ 400
Recommended viscosity	cSt	25
Fluid contamination degree	According to NAS 1638 class 10	
Mass: CHM7-S*	kg	7,2
CHM7-D	kg	7,3

HYDRAULIC SYMBOLS

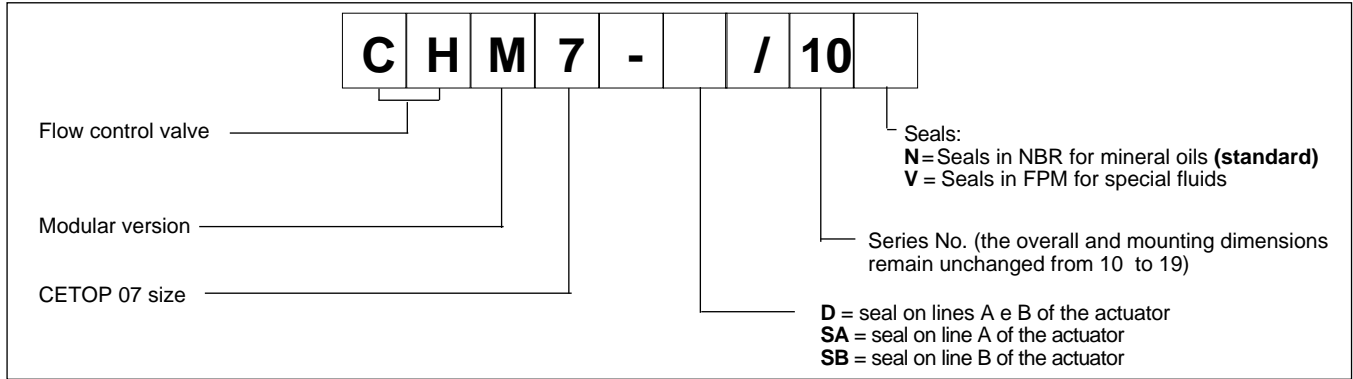




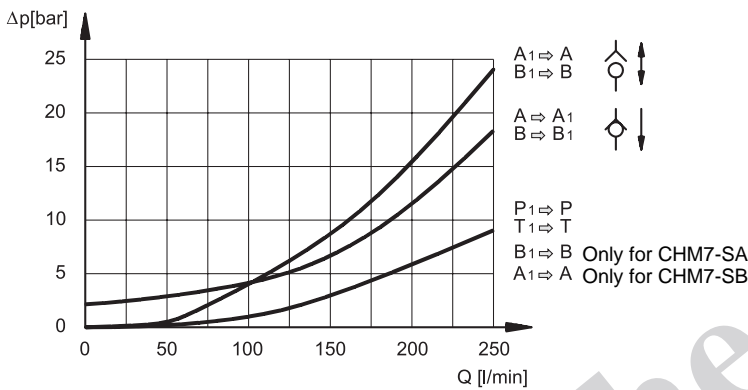
CHM7

SERIES 10

1 - IDENTIFICATION CODE



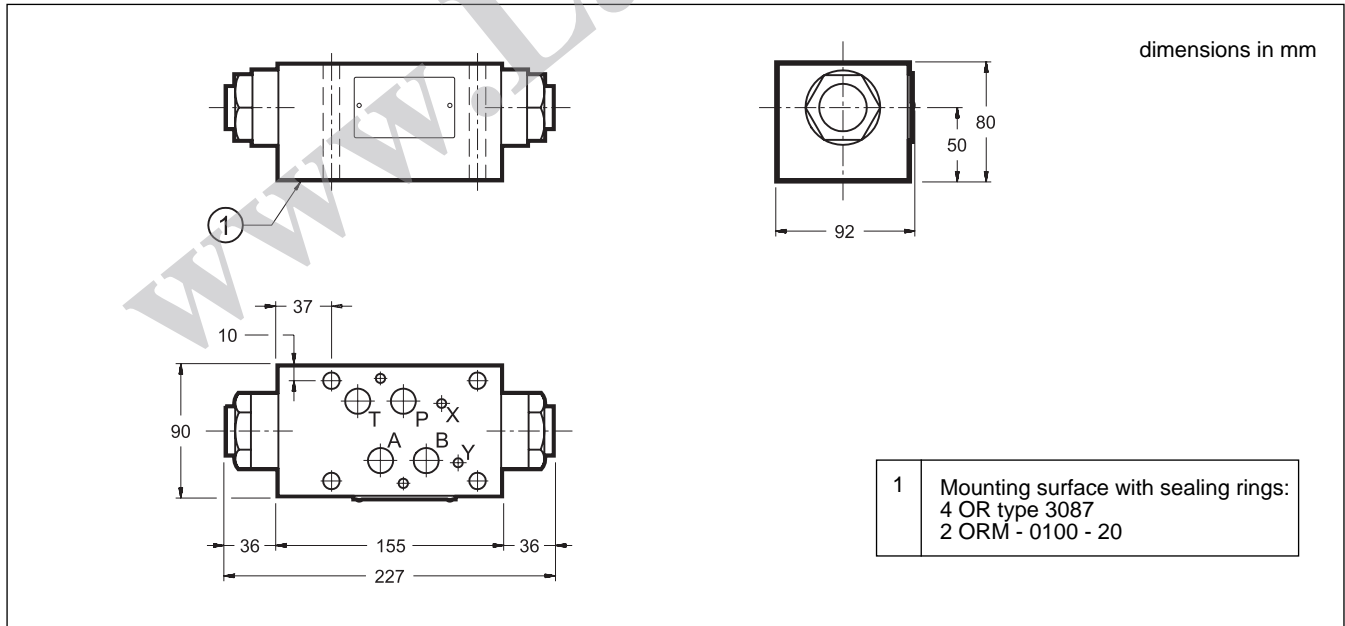
2 - CHARACTERISTIC CURVES (values obtained with viscosity of 36 cSt at 50°C)



3 - HYDRAULIC FLUIDS

Use mineral oil-based hydraulic fluids, with the addition of suitable anti-frothing and anti-oxidizing agents. For the use of other types (water glycol, phosphate esters and others), please consult our technical department.

4 - OVERALL AND MOUNTING DIMENSIONS



DIPLOMATIC OLEODINAMICA SpA
 20025 LEGNANO (MI) - P.le Bozzi, 1 / Via Edison
 Tel. 0331/472111-472236 - Fax 0331/548328